

Product Description

Proglaze® ETA 3-D Molded Corner Connections are engineered from 40 Durometer Dense Translucent Silicone used for making connections to our ExoAir® Air Barrier Membrane systems with Spectrem® 1 Silicone Sealant. The 3-D molded corners have been designed in such a way so that they may be used to overlap one another or used in conjunction with other Proglaze ETA components to accommodate complex transitions.

Basic Uses

Proglaze ETA 3-D Molded Corner Connections are designed to facilitate transitions when construction sequencing has the surrounding façade being installed prior to the wall or window system.

ETA is compatible with and recommended for use with all Tremco ExoAir® Air Barrier products.

Allows complex connections to the wall or window system, which may be recessed or set proud from the plane of the weather barrier surface.

Field fabrications of saddle-flashings.

Transitions the weather barrier across seismic drift joints at the heads of punched openings.

Ability to create a flexible sill pan.

Features and Benefits

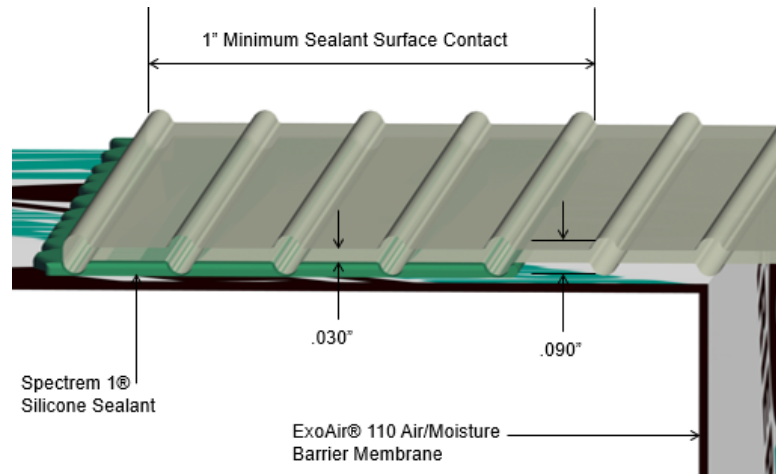
- Ribs on both surfaces allow the profile to be rotated in any position to prevent compressing the silicone sealant to a thin film at the bond surface. The material is easily trimmed to fit around projections, while allowing easy lap joints with Proglaze ETA Connections. The 40-durometer translucent silicone material allows for visual inspection of the sealant application, while the ribs prevent the silicone sealant from being compressed to a thin film.
- extrusions and molded corners is acceptable.

Availability

Please contact our Customer Service Department in Beachwood, Ohio at 800-321-7906, or Toronto at 800-363-3213.

Colors

Translucent. Custom colors are available.



- A minimum contact area on Tremco ExoAir Air Barrier Membranes is 1", while a minimum of 3/8" contact area on metal and Proglaze ETA extrusions and molded corners is acceptable.

Limitations

- Not intended to be utilized in a permanently exposed condition unless approved by Tremco.
- Not intended as a seal to untested substrates.

Warranty

Tremco warrants its Products to be free of defects in materials, but makes no warranty as to appearance or color. Since methods of application and on-site conditions are beyond our control and can affect performance, Tremco makes no other warranty, expressed or implied including warranties of MERCHANTABILITY and FITNESS FOR A PARTICULAR PURPOSE with respect to Tremco Products. Tremco's sole obligation shall be, at its option, to replace or refund the purchase price of the quantity of Tremco Products proven to be defective, and Tremco shall not be liable for any loss or damage.

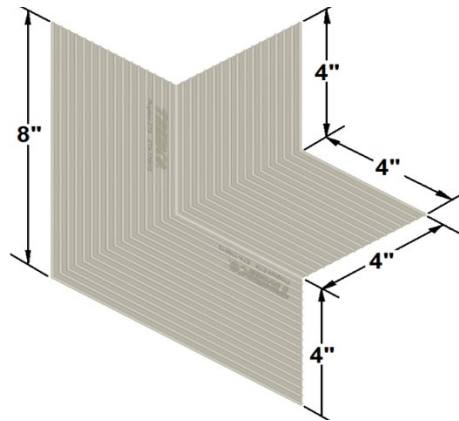
Please refer to our website at www.tremcosealants.com for the most up-to-date Product Data Sheets.

NOTE: All Tremco Safety Data Sheets (SDS) are in alignment with the Globally Harmonized System of Classification and Labelling of Chemicals (GHS) requirements.

TYPICAL PHYSICAL PROPERTIES

PROPERTY	TEST METHOD	TYPICAL RESULTS
Hardness, Type "A" Durometer	ASTM D2240	43
Smoke Development	ASTM E84	300
Flame Spread	ASTM E84	15
Compression Set	ASTM D395	22 hr at 212°F (100°C). 14.5%
Ozone Resistance	ASTM D1149	300 mPa, 100 hr at 158°F (70°C) 20% elongation. No Cracks.
Tensile Strength	ASTM D412	1130 psi (7.8 mPa)
Ultimate Elongation	ASTM D412	550%
Tear Strength	ASTM D624	114 lb/in (19.9kN/m)
Low Temp. Flexibility	ASTM D746	-40°F (-40°C). Pass

SKU	Description	System	Corners/ Bag	Width	Stock Class
ETA17661S4N	ETA 3D OUTSIDE MOLDED CORNER	3D Molded Corners	4	Corner	Standard



SKU	Description	System	Corners/ Bag	Width	Stock Class
ETA17659S4N	ETA 3D INSIDE MOLDED CORNER	3D Molded Corners	4	Corner	Standard

0220/PETAMCDS-GL



Tremco Commercial Sealants & Waterproofing

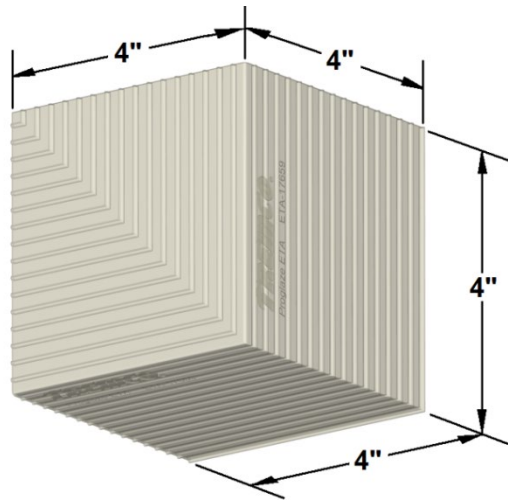
3735 Green Rd
Beachwood OH 44122
216.292.5000 / 800.321.7906

1451 Jacobson Ave
Ashland OH 44805
419.289.2050 / 800.321.6357

220 Wicksteed Ave
Toronto ON M4H1G7
416.421.3300 / 800.363.3213

1445 Rue de Coulomb
Boucherville QC J4B 7L8
514.521.9555

Proglaze® ETA - 3D Molded Corner Connections



0220/PETAMCDS-GL

3735 Green Rd
Beachwood OH 44122
216.292.5000 / 800.321.7906

1451 Jacobson Ave
Ashland OH 44805
419.289.2050 / 800.321.6357

220 Wicksteed Ave
Toronto ON M4H1G7
416.421.3300 / 800.363.3213

1445 Rue de Coulomb
Boucherville QC J4B 7L8
514.521.9555



Tremco Commercial Sealants & Waterproofing